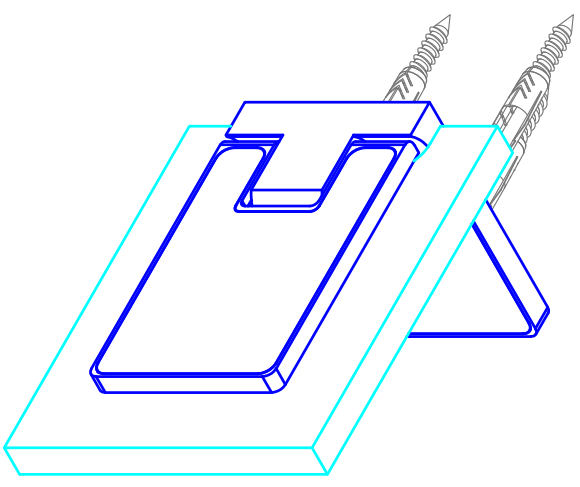
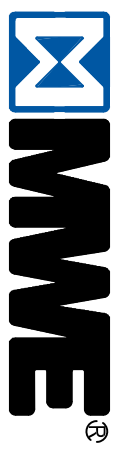


Max. 110 Lbs per pair
Max. door width = 1000mm [39 3/8"]



MWE by MWE **DU.3390**

Date Prepared: Oct 2019 Prepared By: CDA



NORTH AMERICA
Email: info@mwe-na.com
phone: (954) 982-6595
www.mwe-na.com

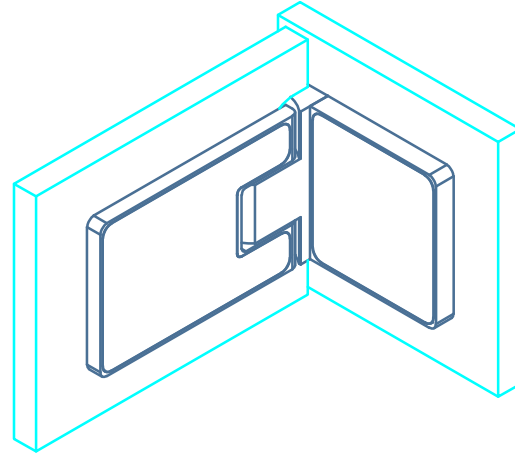
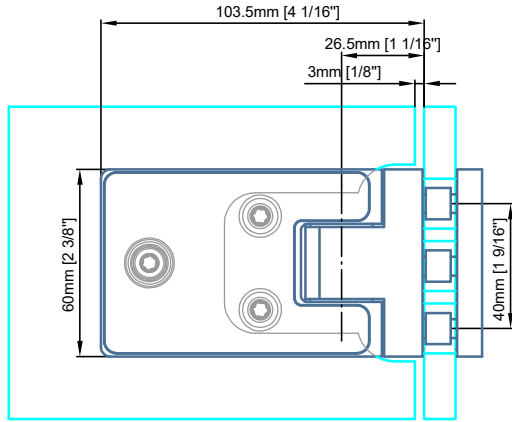
Load capacity per pair 110lbs
 Max. door width 1000mm [39 3/8"]

Suitable for 8mm [5/16"] - 10mm [3/8"] - 12mm [1/2"] glass

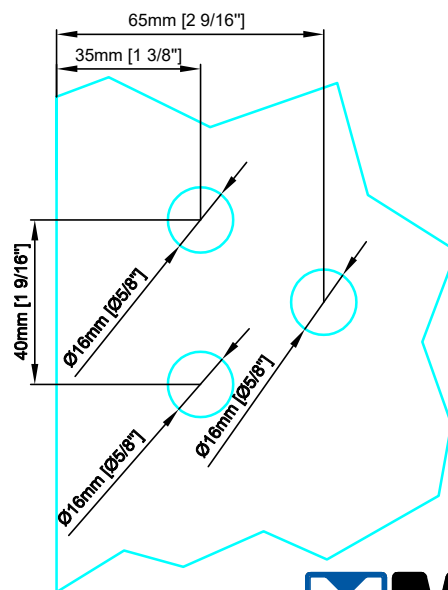
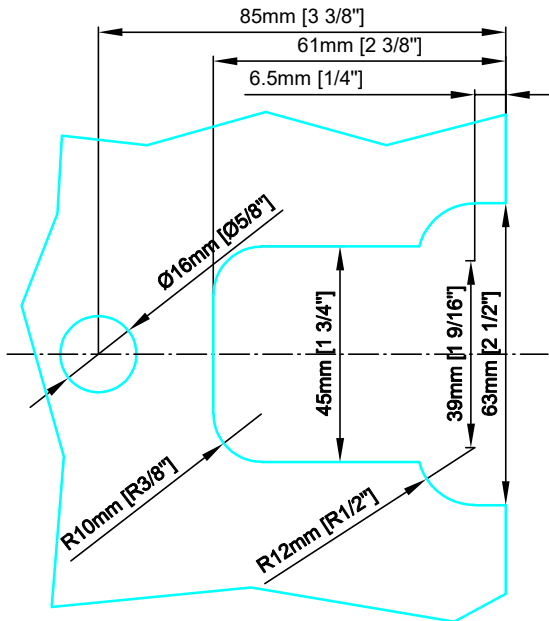
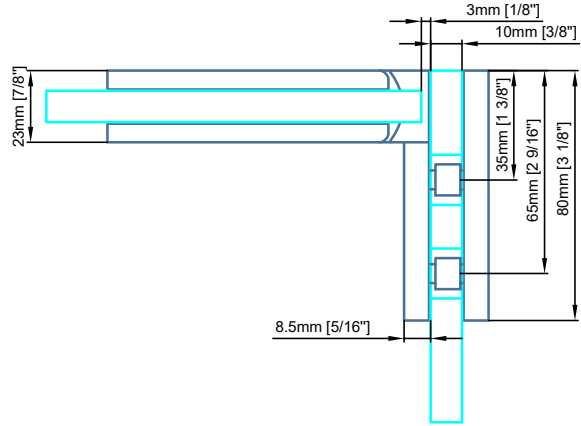
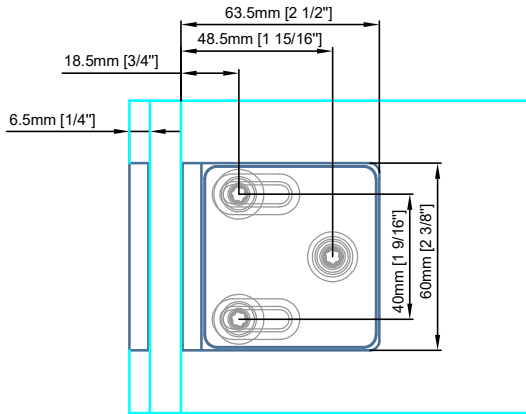
Reference:
 3 hinges required for door height at or above 2600mm [102 3/8"]
 Third hinge positioned in the upper third of door

Copyright MWE NA Inc., all rights reserved. Reproduction or other use of these designs without written consent from MWE NA Inc. is prohibited.

Technical drawings are subject to change without notice.
 All millimeter dimensions are exact and supersede inch conversions.



*See specification
 Pivot Hinge [DD.3391 L/R] Glass to Wall - 90° with seal



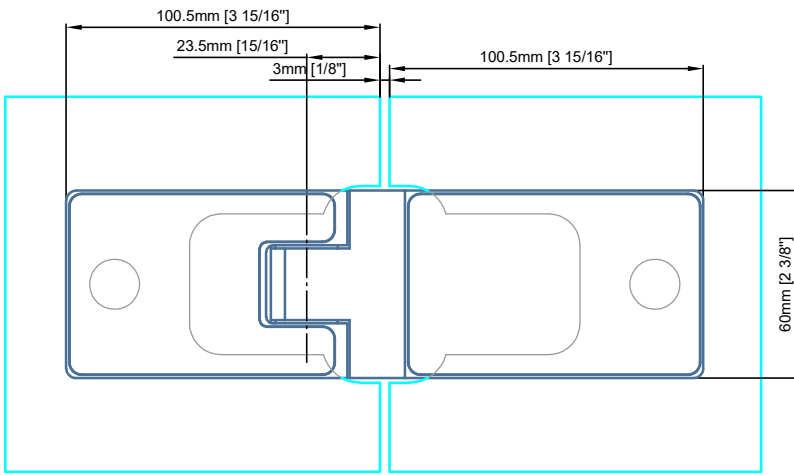
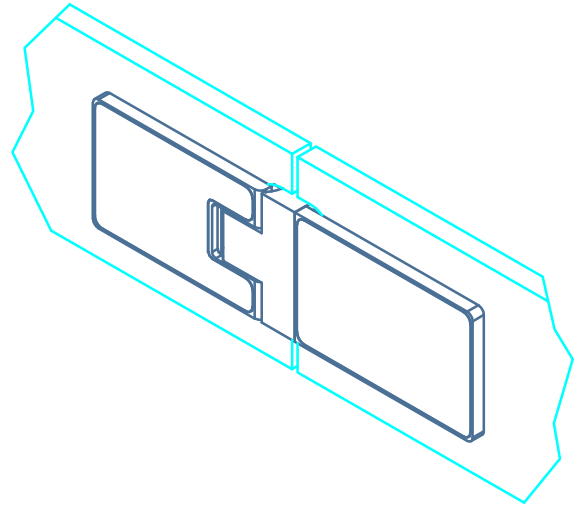
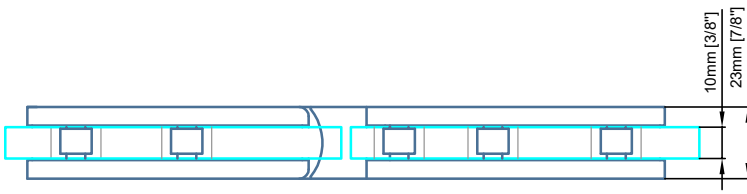
Load capacity per pair 110lbs
 Max. door width 1000mm [39 3/8"]

Suitable for 8mm [5/16"] - 10mm [3/8"] - 12mm [1/2"] glass

Reference:
 3 hinges required for door height at or above 2600mm [102 3/8"]
 Third hinge positioned in the upper third of door

Copyright MWE NA Inc., all rights reserved. Reproduction or other use of these designs without written consent from MWE NA Inc. is prohibited.

Technical drawings are subject to change without notice.
 All millimeter dimensions are exact and supersede inch conversions.



*See specification
 Pivot Hinge [DD.3392 L/R] Glass to Glass - 180° with seal

